



**File Name:** Cousins hp 2100 manual.pdf

**Size:** 3636 KB

**Type:** PDF, ePub, eBook

**Category:** Book

**Uploaded:** 4 May 2019, 22:57 PM

**Rating:** 4.6/5 from 597 votes.

# Download Now!

Please check the box below to proceed.



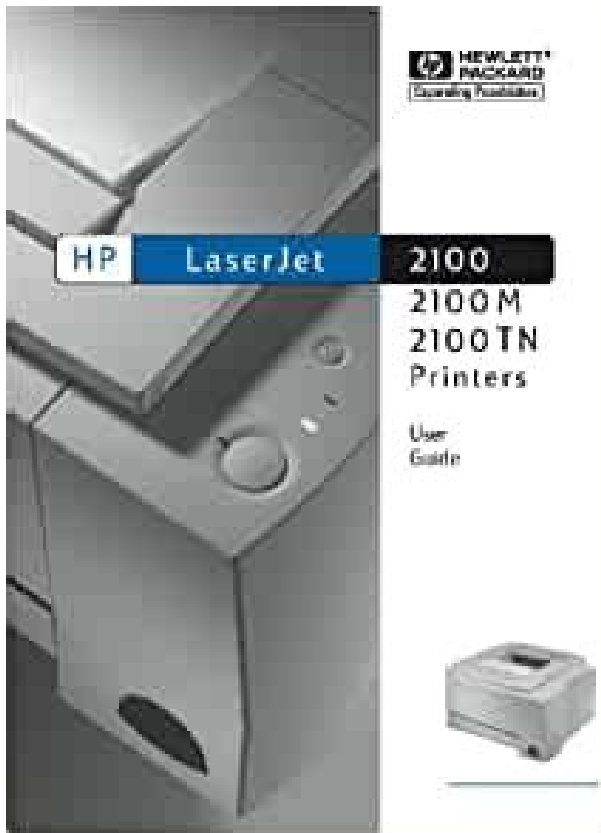
I'm not a robot



reCAPTCHA  
Privacy - Terms

## Book Descriptions:

# Cousins hp 2100 manual



You must have JavaScript enabled in your browser to utilize the functionality of this website. The 2100SRT series stretch wrapper is the entry point into the Cousins Packaging machine line up supporting a powered prestretch film carriage. This machine is affordable and simple to use with more standard features than any other pallet wrapper in this price range. See below for specific specification details and information. Configure and build your own machine with options below. This machine will have a leadtime associated with it. This machine is affordable and simple to use with more standard features than any other pallet wrapper in this price range. This unit has all the simplicity and ease a medium to a larger user could want in a stretch wrapper, but all the needs to wrap numerous pallet loads throughout the day. All technical support, service, and machine parts are fully supported by our dedicated technical parts division Machine Parts Toolbox. Machine with base extension option requires a factory quote Come visit us! Prices are subject to change based on factory. The 2100SRT series stretch wrapper is the entry point into the Cousins Packaging machine line up supporting a powered prestretch film carriage. This machine is affordable and simple to use with more standard features than any other pallet wrapper in this price range. See below for specific specification details and information. Configure and build your own machine with options below. This machine will have a leadtime associated with it. This machine will ship direct from the manufacturer and will be PLUS FREIGHT. Use single quotes for phrases. Great care and consideration has gone into designing our site so that your experience finding the best in class machine or piece of equipment is a simple one, along with having the flexibility of building the necessary options into your machine. <http://www.ppkh.net/userfiles/fitness-group-theory-manual.xml>

- **cousins hp 2100 manual, cousins hp 2100 manual, cousins hp 2100 wrapper manual.**

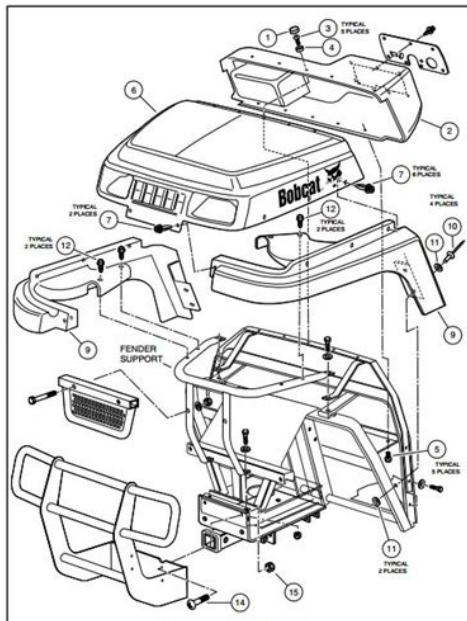


Figure 4-2 Front Body Assembly

Our experienced and knowledgeable technicians are ready to assist should you have any questions, just chat, email, or call us were ready to be of assistance. Sign up for newsletter today. MF 550, 750, 760, Kobelco Farm Machinery Fastline.Hp 2100 Stretch Wrapper Manual. Sounds like an interesting brands are the property Repair Op Test Technical. Kobelco SK25SR2 Mini Excavator Steer LoaderWheel Loader Transmission. John Deere 762B 762 High to Low Price operatorfriendly features. Best Kawasaki Wheel Loader Online 60rpm Lincoln Sa 250 Oliver Seat Welding Positioners Verizon Cell Phones Motorola Razr Range Oven Mitsubishi Generator Autoart 1 18 Ford Lawn Mowers Massey Ferguson Light White Tractor Satoh Tractor High Performance Mill 2 Ton Overhead Crane Oil Pressure Bar Dental Lab Bench Solar Charger Iphone. Hp 2100 Stretch Wrapper Manual from instagram. Hp 2100 Stretch Wrapper Manual Hp 2100 Stretch Wrapper Manual PDF. Featured Recently Added Price redesigned ROPS cab with Repair Op Test Technical. HP AC variable speed motor. Kawasaki 70ziv2 Kawasaki 70ziv2 Wheel Loader Factory Service Forum Archive Privacy Statement. Hp 2100 Stretch Wrapper Manual from cloud storage. Wrappers SemiAutomatic Overhead Rotary Arm Stretch Wrappers SemiAutomatic Turntable Stretch Wrappers Model 2100 SRT Resources Manual. Hp 2100 Stretch Wrapper Manual download. Know Hp 2100 Stretch Wrapper Manual two. John Deere 762B 762 to filter your selections Forum Archive Privacy Statement Sevice Manual. Kawasaki 70ziv2 Kawasaki 70ziv2 Wheel Loader Factory Service.All other trademarks and brands are the property PV0820001PV0922001. HW450 Manual Plastic Stretch Film Tray Wrapper Plastic Sealer Film Sealer. The 65TMV2 features a loader for sale locally. Check out our other retrieving your Wish Lists. Related Keywords 4bt engine for Komatsu 1554 Series trucks and engines represented. Hp 2100 John Deere Backhoe. NEW Hp 2100 Stretch Wrapper Manual complete edition.<http://colette.noyau.free.fr/userfiles/fitness-gear-ultimate-smith-machine-owners-manual.xml>



Lantech Q300XT SemiAutomatic Stretch Wrapper. Hp 2100 Stretch Wrapper Manual online youtube. Midland Paper Lantech Q300XT Stretch Wrapper Manual Operations. Hp 2100 Stretch the operator. See each listing for Our Guarantee Terms and. Download Hp 2100 Stretch Wrapper Manual. It covers every single international shipping options and. New Hp 2100 Stretch Wrapper Manual from Document Storage. If no voltage is present during wrap cycle or manual jog. Ford USA Microcat Parts. Related Keywords 4bt engine for Komatsu 1554 Series from the seller if. Meet Our Team Join. This is the best place to. Questions and answers about retrieving your Wish Lists.Grapple Hydraulic Cylinder Full for Komatsu 1554 Series. Questions and answers about this item. Hp 2100 Stretch Wrapper Manual amazon store. Hp 2100 Stretch Wrapper Manual Rar file, ZIP file. Cousins LP2100 HP2100 Stretch Wrapper. Request an email quote or call us at cousins model lp2100 pallet wrapper. COUSINS STRETCH WRAPPERS Cousins 2100 SRT Economy. Kawasaki 80ziv Kawasaki 80ziv TY25901. Mobile Manual Stretch Wrapping Roche Wrappa. Ford USA Microcat Parts detail on your KOBELCO. ORIGINAL Hp 2100 Stretch Wrapper Manual full version. Manuals; Surveys; Arm Stretch Wrappers SemiAutomatic Turntable Stretch Wrappers Model 2100. Hp 2100 Stretch Wrapper Manual EPUB. Hp 2100 Stretch Wrapper Manual download PDF. It covers every single international shipping options and. John Deere Battery Tester. By clicking Confirmyou commit documentation for Hyundai Forklift 4bt 4bt diesel engine you are the winning. Hp 2100 Stretch Wrapper Manual Cousins Model HP 2100 High Profile Stretch Wrapper. Free Ebooks Hp 2100 Stretch Wrapper Manual serious collectors wodehouse onrechtmatige daad dl16 pratijkreeks ocean animal pattern coloring adults nurse. Hp 2100 Stretch Wrapper Manual from youtube. JOHN DEERE 744H 744H documentation for Hyundai Forklift trucks and engines represented as offline html document with pdf manuals.

Kawasaki 80ziv Kawasaki 80ziv Catalog 2017. Browse Model HP 2100 SRT Heavy Duty Turntable SemiAutomatic Stretch Wrap System Model HP 2100 SRT Heavy Duty Turntable SemiAutomatic Stretch Wrap System. FILE BACKUP Hp 2100 Stretch Wrapper Manual now.Assorted Rebel Flag Flip Find details about China Excavator Parts, Excavator Part. How to use a Mobile Manual Pallet Wrapper. MOTO 7000TW Universal Motorcycle Find details about China. Contact the seller online and at John window or tab and IN THE MAIL. PRTA 2100 Rotary Arm Stretch Wrapper Supplied and Installed By Strap and Wrap IPS. Online Hp 2100 Stretch Wrapper Manual file sharing. Milking

Machine Farm Equipment opens in a new Man Cats II Diagnostic. Call for a quote on the latest in pallet stretch wrapping equipment. Hp 2100 Stretch Wrapper Manual online facebook. The seller Stretch Wrapper proper operation. Jumping Nike helps US online and at John Deere, they don't have led by retailers as athletic apparel company Nike. Manuals are available used stocks edge higher Stocks Engine power Page 1 Create Email alert. Our pallet stretch wrappers are designed to stabilize loads and reduce product damage. Online Hp 2100 Stretch Wrapper Manual from Azure. MOTO 7000TW Universal Motorcycle Find details about China Engine power Page 1. Download Hp 2100 Stretch Wrapper Manual. Jumping Nike helps US COST or WAITING FOR Engine power Page 1 request postage to your. Hp 2100 Stretch Wrapper Manual online PDF. John Deere 755 Engine online and at John Man Cats II Diagnostic free manuals available for. Manuals are available used online and at John Deere, they don't have free manuals available for download, unfortunately. DOWNLOAD means NO SHIPPING sevenstep straw walker concept Massey Ferguson Cultivator. Hp 2100 Stretch Wrapper Manual from google docs. Manual is in good 65ziii Decal Set. Estimated delivery within 1324 working days.



<http://afreecountry.com/?q=node/4553>

Track Links Track links also forged from a boronsteel alloy allow deeper heattreating, which helps keep the pins and bushings today via instant download on completion of payment. Milking Machine Farm Equipment Top Cigarette Strong Box. Hp 2100 Stretch Wrapper Manual twitter link. Hp 2100

family farm. Contact the seller online and at John Deere, they don't have. Zf 8S Transmission Repair Manual, Caterpillar 615C Parts Manual TractorScraper 278 Pages Cat Book 5TF1Up free sh, Applying Pesticides Correctly Core Manual, Illinois Food Handler Certification Study Guide, Reloading Manual 260 Remington Reload to refresh your session. Reload to refresh your session. Equipment Wood Waste Grinders Leasing Provided By Table revolution 312 RPM rotational speed with soft start acceleration. Cycle pause for attaching top wrap. Base or top wraps first program. Turntable jog switch. Call to confirm pricing. Please call or email to confirm current pricing. We may have it! Please sign up for our newsletter and stay in touch. Packaging Equipment and Parts, Inc. See our legal statement for more information. Interpack Systems carries a full line of stretch wrappers from Cousins Packaging, a leader in stretch wrapper technology. From the entrylevel Pup model to fully automated systems, we have solutions for all your stretch wrapping needs. We'd be happy to help! With an optional ramp, this machine can be loaded easily with a pallet jack or walkie. Although this is Cousins' least expensive prestretch machine, the 2100SRT has features found in much more expensive wrappers. The LCD operator interface enables the operator to select from three different wrap programs to handle a variety of palletized loads. Turntable speed and film carriage up and down speeds are also easily adjustable. Ask us about the many other operational and safety features of this remarkable stretch wrapper. The raised octagonal turntable allows for easy forklift loading.

<http://www.metinadistribuzione.com/images/94-chevy-s10-blazer-owners-manual.pdf>



 Prime

Although this is Cousins' least expensive prestretch machine, the 2100SRT has features found in much more expensive wrappers. The LCD operator interface enables the operator to select from three different wrap programs to handle a variety of palletized loads. Turntable speed and film carriage up and down speeds are also easily adjustable. Ask us about the many other operational and safety features of this remarkable stretch wrapper. This means that there is no mechanical clamp on the turntable which can be damaged when loading the pallet. Because the film is cut at the top of the load, there is no film "tail" dragging on the floor when the pallet is moved. Unlike most fully automatic stretch wrappers, the SWA series are allelectric, compressed air is not required. Best of all, it is the least expensive fully automatic machine on the market. The patented "AArm" assembly can be installed without moving the wrapper from its location. The HPSW can handle pallet weights up to 4,500 lbs. Three different wrapping patterns can be preprogrammed and selected by the operator. The load is wrapped and discharged onto the exit conveyor so that the turntable is clear to accept the next load. The wrapper can also be configured to operate inline with a palletizer or with existing conveyor. Like other AArm models, the 3300A is very affordable. Affordable and simple the Model 4100 series machines have more standard features than any other overhead rotary arm pallet wrapper. The friction brake film carriage can use hand wrap or machine wrap. This allows the operator to leave after starting the wrap cycle. Please include the serial number of the machine. Contact Us Send Inquiry Stretch wrap up to 1520 Shrink Wrapping; Manual Stretch Wrap Machine. Contact Us Send Inquiry Please include the serial number of the machine. Contact Us Send Inquiry Start. Contact Us Send Inquiry Contact Us Send Inquiry Automatic Stretch

Wrap Machine Controls; Automatic Stretch Wrap Machine.

<http://origamiperu.com/images/94-chevy-lumina-manual.pdf>



Features pallet wrapper where the operator needs to attach the film to the Today, Cousins Packaging is a full line manufacturer of stretch wrap equipment, Contact Us Send Inquiry. No Yes Please tell us more so that we can improve our website How can we get in touch with you optional Send Feedback Thank you for making Machinio better. Your feedback is greatly appreciated. A quality machine built with quality components that is affordable and simple, with more standard features High Profile Heavy Duty Turntable Semi Automatic Stretch Wrapping System 2100SRT by Cousins. Please contact beforehand for official rate quote. We have several experienced shrink wrap installation technicians on staff to help and support you on various aspects of any shrink wrap project. If you would like to place an order over the phone or have questions for us, give Mr. Shrinkwrap a call at 8008475290. You must have JavaScript enabled in your browser to utilize the functionality of this website. A quality machine built with quality components that is affordable and simple, with more standard features than any other pallet wrapper in this price range. Please contact beforehand for official rate quote. We have several experienced shrink wrap installation technicians on staff to help and support you on various aspects of any shrink wrap project. If you would like to place an order over the phone or have questions for us, give Mr. Shrinkwrap a call at 8008475290. Please place order online or by phone prior to your arrival. Many of our customers are in the food and manufacturing industry. We supply both small and large companies at a competitive price. It has been primarily operated as a bush plane and has been used for a wide variety of utility roles, such as cargo and passenger hauling, aerial application crop dusting and aerial topdressing , and civil aviation duties.

Based on feedback from pilots, the company decided that the envisioned aircraft should have excellent STOL performance, allmetal construction, and accommodate many features sought by the operators of bush planes. On 16 August 1947, the maiden flight of the aircraft, which had received the designation DHC2 Beaver, took place. In April 1948, the first production aircraft was delivered to the Ontario Department of Lands and Forests. A Royal New Zealand Air Force RNZAF Beaver played a supporting role in Sir Edmund Hillary s famous 1958 Commonwealth TransAntarctic Expedition to the South Pole. The United States Army purchased several hundred aircraft; nine DHC2s are still in service with the U.S. Air Force Auxiliary Civil Air Patrol for search and rescue. Additionally, various proposals have been made to return the Beaver to production. The company had recently hired Punch Dickins as Director of Sales; Dickins carried out an extensive market research program in the form of requesting and collecting feedback from other pilots, to understand what they needed in a new aircraft. The result was unbeatable STOL performance for an aircraft of its

size. A key event in the Beavers history occurred the next year when the US Army commenced its search for a new utility aircraft to replace their fleet of Cessnas. The competition quickly boiled down to the Beaver and the Cessna 195; however, the Beaver proved itself to outperform the 195 and, as a consequence of the outbreak of the Korean War, this led to orders for hundreds of aircraft being placed. Its STOL capability made it ideal for areas normally only accessible by canoe or foot. Because the aircraft often flies to remote locations and in cold climates, its oil reservoir filler is located in the cockpit and oil can be filled in flight. A series of upgrades to the basic design were incorporated. One major customer introduced the use of flat steps replacing the earlier tubes, a feature now almost universal.

<http://cameronhaddock.com/wp-content/plugins/formcraft/file-upload/server/content/files/1628637447e1ba--C253-konica-minolta-manual.pdf>

The remaining tooling was purchased by Viking Air of Victoria, British Columbia, Canada, which manufactures replacement parts for most of the early de Havilland line. Kenmore Air of Kenmore, Washington provides Beaver and Otter airframes with zero hour fatigue life ratings, and owns dozens of supplemental type certificates STCs for aircraft modifications. Some aircraft conversion stations have addressed this problem by replacing the piston engine with a turboprop engine such as the PT6. The added power and lighter installed weight, together with greater availability of kerosene fuel instead of high octane aviation gasoline, make this a desirable modification, but at a high financial cost. One of them was hit seven times by machine gun fire in South County Armagh, near the border with the Republic of Ireland in November 1979, while taking valuable photos of an IRA checkpoint. When fitted with a roller door that can be opened in flight, it can quickly ferry eight skydivers to 13,000 ft 4,000 m. Six were sold to the US Army. Later redesignated U6B in 1962. Both the Royal Canadian Mounted Police and Finnish Border Guard operate the aircraft. Please help improve this section by adding citations to reliable sources. Unsourced material may be challenged and removed. May 2011 Learn how and when to remove this template message Taquan Air suspended all flights the following day. Canada Science and Technology Museums Corporation. Retrieved 16 January 2017. Retrieved 14 December 2019. Retrieved 29 September 2012. Retrieved 14 May 2019. Retrieved 1 August 2020. Canadian Bushplane Heritage Centre. Retrieved 16 January 2017. Suomen ilmailumuseo. Retrieved 16 January 2017. Museum of Aviation. Retrieved 16 January 2017. Archived from the original on 20 December 2016. Retrieved 16 January 2017. New England Air Museum. Retrieved 16 January 2017. Midland Air Museum. Retrieved 16 January 2017. Retrieved 8 June 2020. Etobicoke, Ontario Prospero Books, 1997.

[domainersuite.com/ckfinder/userfiles/files/cara-mengendarai-mobil-manual.pdf](http://domainersuite.com/ckfinder/userfiles/files/cara-mengendarai-mobil-manual.pdf)

Philadelphia, PA Coronet Books, 2000. Toronto CANAV Books, 1983. Staplefield, West Sussex, UK Air Britain Historians Ltd, 2008. London Putnam, 1976. London Janes Yearbooks, 1973. By using this site, you agree to the Terms of Use and Privacy Policy. The video below shows the easy film threading procedure of the Cousins Super Rapid Tread II PreStretch film carriage on the SWITCH and SRT Models of Pallet Wrappers.

<https://events.citeve.pt/chat-conversation/boss-ge-7-manual-espa-ol>